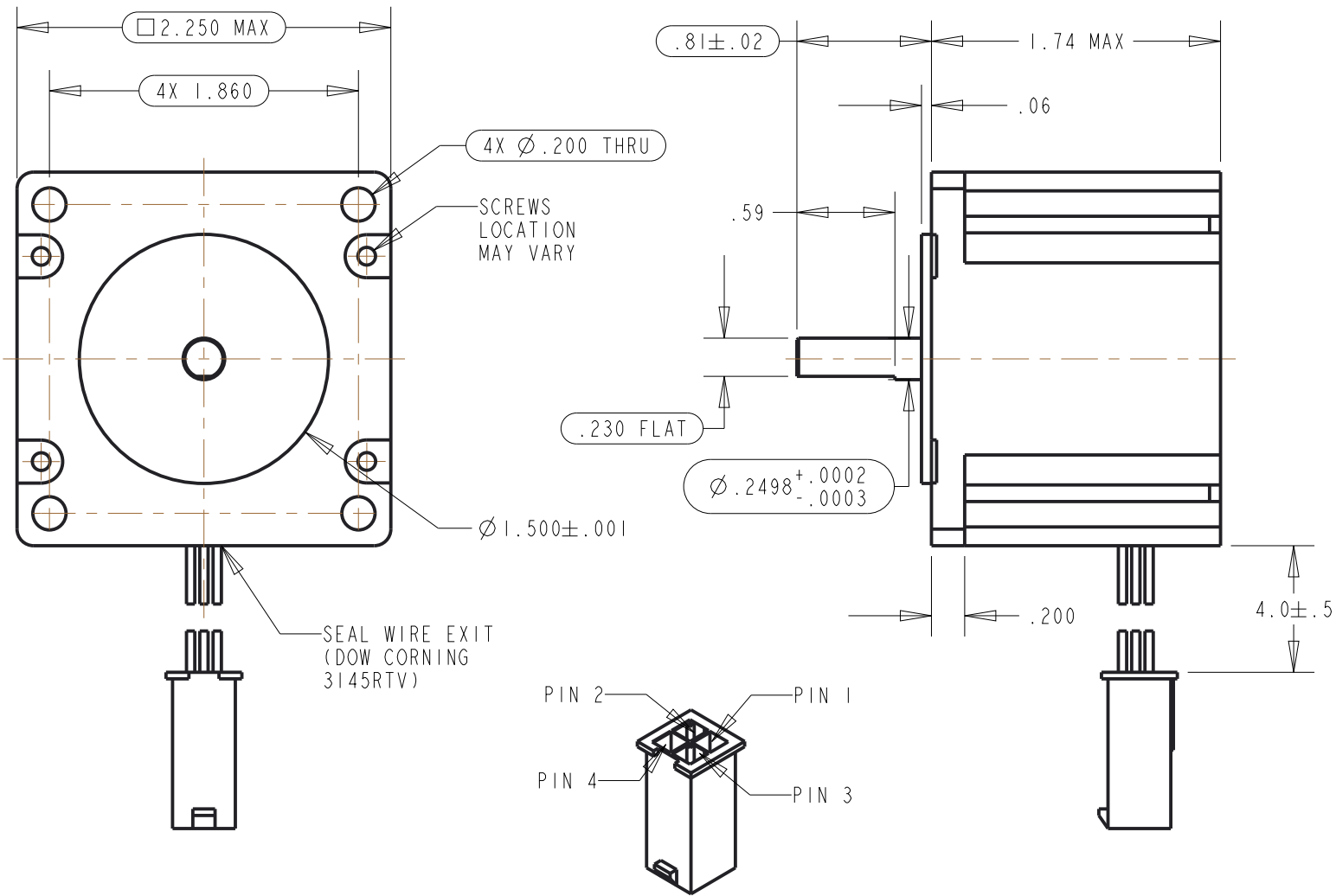
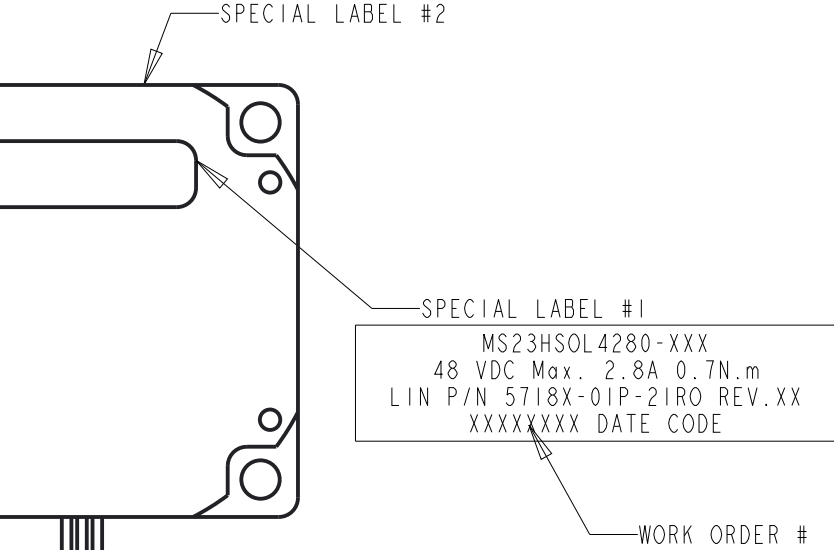


CONNECTION		
PIN	PHASE	COLOR
1	A+	RED
2	A-	BLUE
3	B+	GREEN
4	B-	BLACK



MOONS' STEPPING MOTOR
 MAX. SPEED: 3000RPM
 AMBIENT: 50°C
 CLASS B
 UL FILE NO. E465363
 SHANGHAI MOONS ELECTRIC CO. LTD



CONNECTOR :
 MOLEX #39-01-3049
 PIN :
 MOLEX #39-00-0062 (LOOSE)
 MOLEX #39-00-0061 (REEL)
 OR EQUIVALENT.

- NOTE:
- SUGGESTED SUPPLIER: LIN ENGINEERING OR EQUIVALENT
 SUGGESTED SUPPLIER P/N: 5718X-01P-21RO OR EQUIVALENT.
 - RATED @ 2.80 AMP
 CONNECTION: 4 WIRES, #22 AWG - UL 3266 - PARALLEL
 COLOR CODE: 1
 - ALL MATERIALS MUST BE ROHS COMPLIANT.
 - ROHS C.O.C. REQUIRED FOR EACH SHIPMENT.
 - LIP SEAL ON OUTPUT SHAFT REQUIRED.

REV	DESCRIPTION	ECN	REV BY	CHECK BY	APPD BY	APPD DATE
B	NOTES UPDATED, SEALING NOTE ADDED, AND BOM TABLE REMOVED.	49146	SBU	PPK	CDC	09NOV17
A	PRODUCTION RELEASE	44182	SSG	MKR	CDC	12OCT16

CRITICAL\INSPECTION DIM.
 (REFERENCE DIM.)
 NOT TO SCALE DIM.

IMPORTANT!
 THIS PART MUST MEET
 THE LATEST ROHS
 DIRECTIVE

NOTICE
 THIS DATA IS THE PROPERTY OF CORNELIUS AND CAN NOT BE COPIED REPRODUCED OR OTHERWISE DISPOSED OF OR USED FOR MAKING OR PROCURING OF PARTS THERE OF EXCEPT UPON WRITTEN CONSENT OF CORNELIUS, AND ALL DATA IS TO BE CONSIDERED CONFIDENTIAL.

CREO DRAWING
 THIRD ANGLE PROJECTION

DIMENSIONS ARE IN INCHES, TOLERANCE UNLESS OTHERWISE SPECIFIED.
 DECIMALS
 1 PLACE: .X...±0.1
 2 PLACE: .XX...±0.01
 3 PLACE: .XXX±0.005
 DIAMETERS: ±.003
 ANGLES: ±0.5
 ASME Y14.5M 1994 STANDARD
 DO NOT SCALE DRAWING

EDGES .005-.015R
 .013-0.38R
 FILLETS .005-.020R
 .013-0.50R

MATL	SEE TABLES
DESC	
FINISH	NA
DRAWN BY / DRAWN DATE	SCALE 0.500
Lohith Krishnegowda (Lohith.Krishnegowda@cornelius.com) 06-May-16 11:53:25 AM	SHEET 1 OF 1
	DWG SIZE B

Cornelius.

MOTOR STEP NEMA 23 FRAME

DWG NO. 620061310

REV B